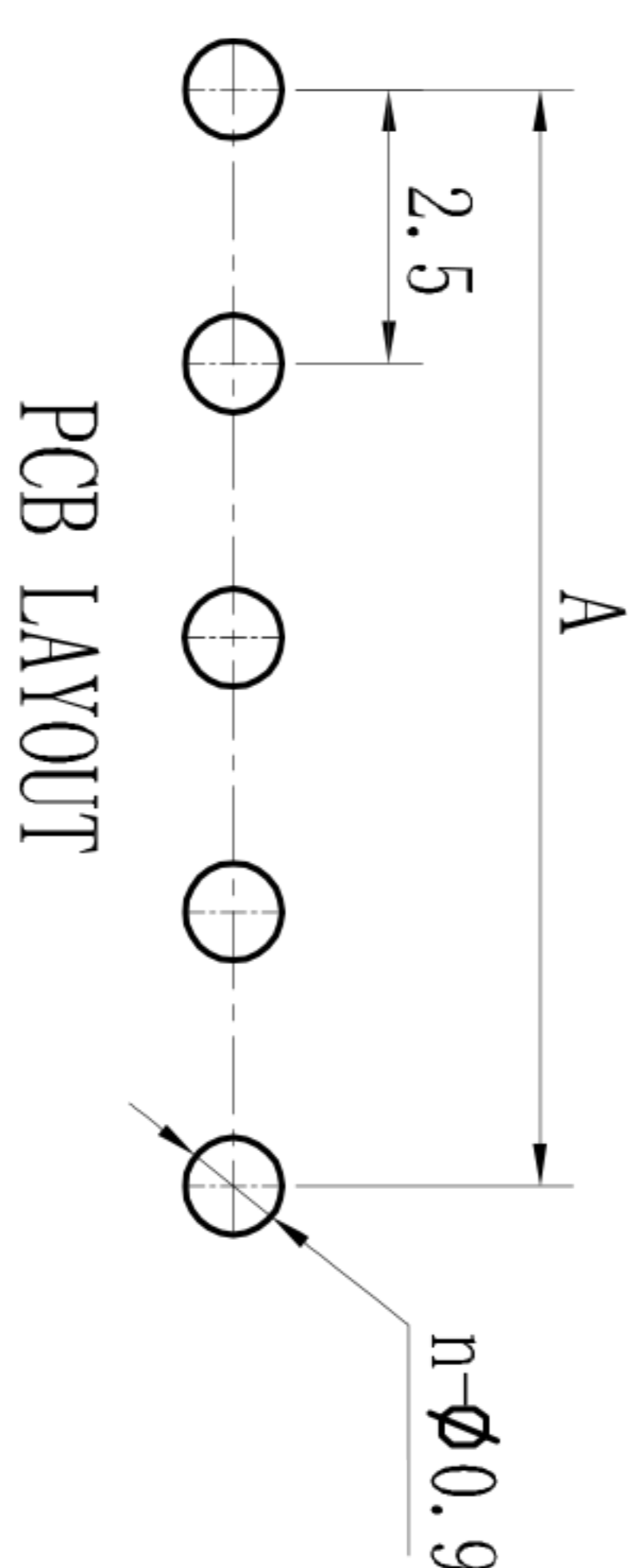
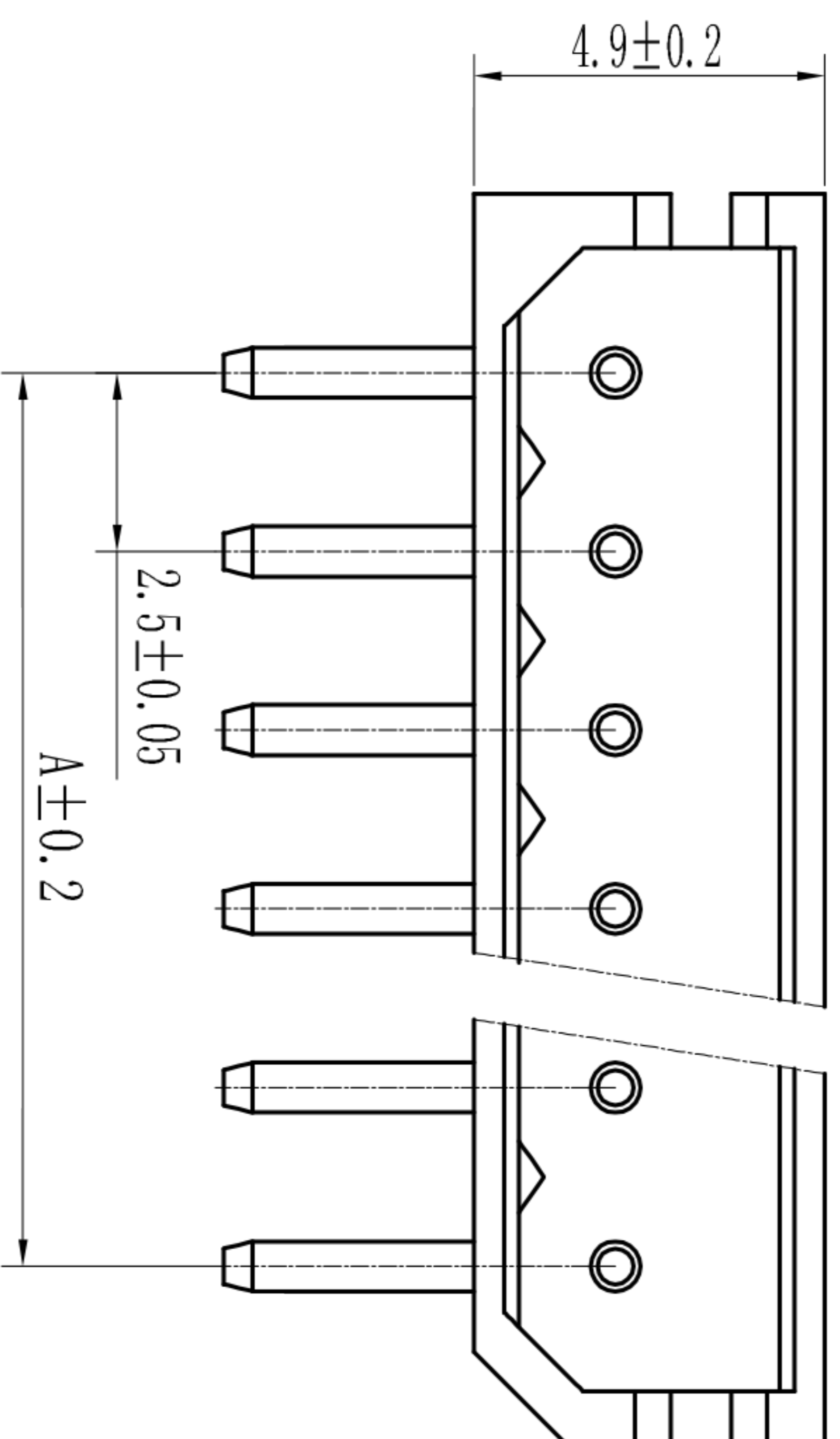
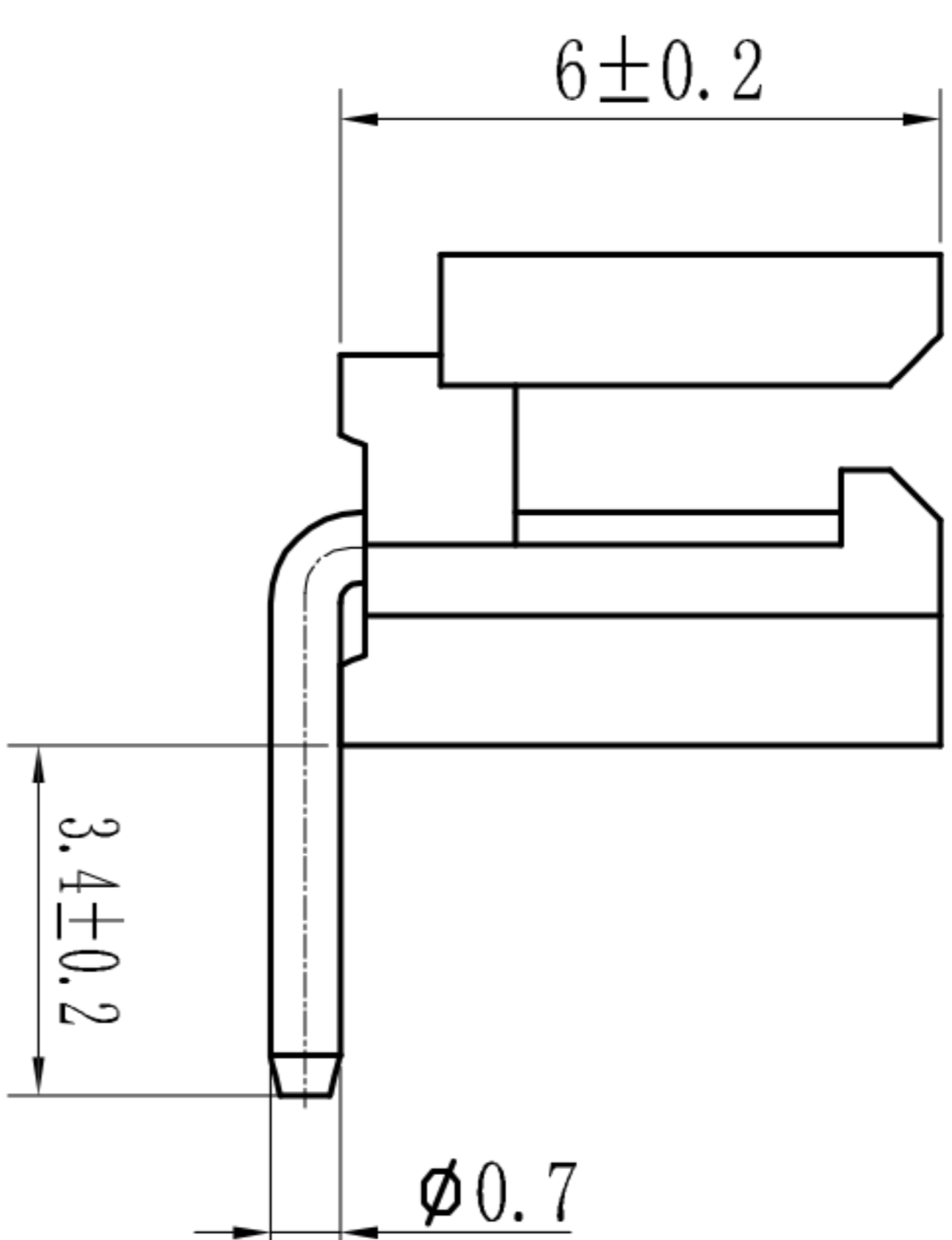
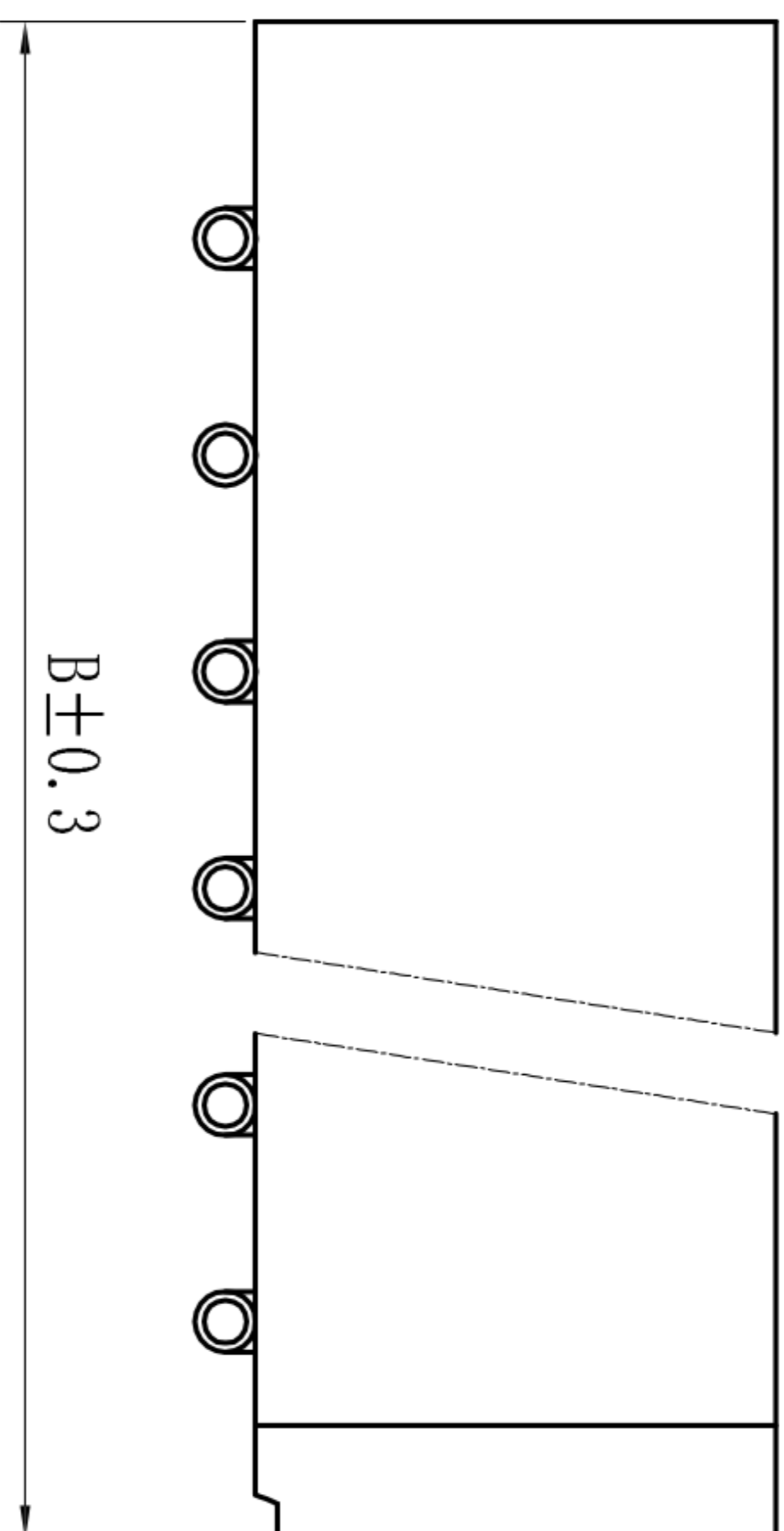


PARTNO	A	B
2P	2.5	7.4
3P	5.0	9.9
4P	7.5	12.4
5P	10.0	14.9
6P	12.5	17.4
7P	15.0	19.9
8P	17.5	22.4
9P	20.0	24.9
10P	22.5	27.4
11P	25.0	29.9
12P	27.5	32.4
13P	30.0	34.9
14P	32.5	37.4
15P	35.0	39.9



技术参数 (SPECIFICATIONS)

额定电压: 250V AC DC
 Voltage rating: 250V AC DC
 额定电流: 2.0A AC DC MIN
 Current rating: 2.0A AC DC MIN
 耐压值: 800V AC/minute
 Withstand voltage: 800V AC/minute
 绝缘电阻: 1000MΩ MIN
 Insulation resistance: 1000MΩ MIN
 接触电阻: 0.02Ω MAX
 Contact resistance: 0.02Ω MAX
 工作温度: -25℃~+85℃
 Working Temperature: -25℃~+85℃
 间距: 2.5mm
 Pitch: 2.5mm
 材料 (MATERIAL)
 外壳: 尼龙66
 Housing: PA66
 插针: 黄铜
 Pin: Brass

ECN NO.	REV.	DATE.	DESCRIPTION.
—	A	—	NEW
—	—	—	CHANGE.

APPROVALS		DATE	TITLE:	
DRAWN	ZHIWEI.CHEN	2015.07.07	PART NO.	GP01-2506WR-NP
CHECKED	—	—	UNIT: mm	SCALE: 1:1
APPROVALS	—	—	DRAWING NO.	PROJ: —
TOLERANCES ARE		30~以上 ±0.30	~ 5 ±0.10	SHEET 1 OF 1
		10~30 ±0.20	5~10 ±0.15	
		~ 5 ±0.10	±2	



深圳市联丰电子有限公司
 SHENZHEN LINFENG ELECTRONIC CO.,LTD